

# ICC-ES Evaluation Report


**ESR-3381**

Reissued April 2024

Subject to renewal March 2026

ICC-ES Evaluation Reports are not to be construed as representing aesthetics or any other attributes not specifically addressed, nor are they to be construed as an endorsement of the subject of the report or a recommendation for its use. There is no warranty by ICC Evaluation Service, LLC, express or implied, as to any finding or other matter in this report, or as to any product covered by the report.

Copyright © 2024 ICC Evaluation Service, LLC. All rights reserved.

<p><b>DIVISION: 03 00 00— CONCRETE</b></p> <p><b>Section: 03 16 00— Concrete Anchors</b></p> <p><b>Section: 03 41 00— Precast Structural Concrete</b></p> <p><b>Section: 03 47 00— Site-Cast Concrete</b></p>	<p><b>REPORT HOLDER:</b> <b>HK COMPOSITES, INC.</b></p>	<p><b>EVALUATION SUBJECT:</b> <b>HK™ ST THERMOPOLYMER WYTHE CONNECTORS FOR INTEGRALLY INSULATED WALL PANELS</b></p>	
-----------------------------------------------------------------------------------------------------------------------------------------------------------------------------------------------------------------------------------	-------------------------------------------------------------	---------------------------------------------------------------------------------------------------------------------------------------------	-------------------------------------------------------------------------------------

## 1.0 EVALUATION SCOPE

**Compliance with the following codes:**

- 2021, 2018, 2015, and 2012 [International Building Code® \(IBC\)](#)

**Property evaluated:**

- Structural
- Environmental
- Physical and Mechanical

## 2.0 USES

The HK ST standard ties (ST50, ST75 and ST100) are used for multiple installations and function by anchorage into concrete and resistance of the connector body for integrally insulated concrete walls (commonly known as sandwich walls). The ST standard connectors spaced apart nonrigid material and formed a connection to resist static and transient tension and shear loads in uncracked, normal-weight concrete on both sides. The connectors are alternatives to cast-in-place steel anchors described in Section 1901.3 of the 2021, 2018 2015 IBC or Section 1908 of the 2012 IBC.

## 3.0 DESCRIPTION

### 3.1 Connectors:

HK ST standard ties (ST50, ST75 and ST100) are engineered thermopolymer connectors with a double key section at the pointed end and a head at the other end for anchorage into wet concrete. The connectors are illustrated in Figures 1, 2 and 3. The connectors are produced from polyphenylsulfone by injection molding.

### 3.2 Concrete:

Normal-weight concrete must conform to Section 1903 of the IBC and comply with the compressive strength requirements in [Table 2](#).

## 4.0 DESIGN AND INSTALLATION

### 4.1 Physical and Material Properties of the Connectors:

Design must be based on the physical and mechanical properties described in [Tables 1](#) and [2](#).

### 4.2 Design for Tension and Shear:

Design must be performed using the applicable sections of the applicable codes with the allowable loads as noted in [Table 2](#). Allowable loads for ST connectors subjected to combined shear and tension forces must be determined by the following equation:

$$(P_s/P_t) + (V_s/V_t) \leq 1$$

where:

$P_s$  = Applied service tension load (lbf or N).

$P_t$  = Allowable service tension load (lbf or N).

$V_s$  = Applied service shear load (lbf or N).

$V_t$  = Allowable service shear load (lbf or N).

### 4.3 Displacement of the Connector:

The ST standard connectors are used to resist shear loads in bending rather than pure shear. Therefore, a limiting displacement value of 0.1 inch (2.54 mm) due to gravity loads is placed on the connector. When the connector displacement exceeds the limiting value of 0.1 inch (2.54 mm) due to gravity loads, the free end of the connector must be supported to maintain fixity by other means. The displacement must be calculated as follows (neglecting any contribution from the insulation in the intended application):

$$\Delta_g = \frac{Q_g \cdot d_A^3}{12E_{Ab} \cdot I_A}$$

where:

$\Delta_g$  = Displacement due to gravity load (inch or mm).

$Q_g$  = Gravity load on the connector, typically the weight of the fascia layer of the tributary area for the connector (lbf or kN),  $Q_g = t \cdot a \cdot b \cdot \gamma$

where:

$t$  = thickness of the fascia layer (feet or m).

$a$  = horizontal spacing of the connector (feet or m).

$b$  = vertical spacing of the connector (feet or m).

$\gamma$  = density of concrete (lb /ft<sup>3</sup> or kg/m<sup>3</sup>).

$$d_A = d_d + \frac{2h_v}{3} \left[ 1 - \frac{1}{1 + \frac{h_v}{d_d}} \right]$$

where:

$d_A$  = Connector bending length, a function of insulation thickness and embedment (inch or mm).

$d_d$  = Insulation thickness (inch or mm).

$h_v$  = Embedment length of the connector in the concrete (inch or mm).

$E_{Ab}$  = Flexural modulus of elasticity as given in [Table 1](#) (psi or MPa).

$I_A$  = Moment of inertia of the connector as given in [Table 1](#) (in<sup>4</sup> or mm<sup>4</sup>).

The deflection of the connector may be reduced by decreasing the connector spacing, with a minimum spacing of 8 inches (203 mm) on center each way.

### 4.4 Installation:

Connector orientations and locations must comply with the plans and specifications approved by the code official. ST connectors must be installed in accordance with the instructions provided by HK Composites Incorporated (HKC). The instructions are provided with each shipment of connectors. The minimum embedment, critical edge distance, and critical spacing must comply with [Table 3](#) of this report.

The minimum concrete thickness must comply with the applicable code requirements or 1.5 times the connector effective embedment, whichever is greater. Within 20 minutes after the bottom layer of concrete is placed, code complying rigid insulation board with dots or predrilled holes to indicate connector locations must be placed over the concrete while it is in the plastic state. The connectors, sized to match the insulation board thickness, are inserted through the insulation board into the layer of concrete, until the prescribed embedment is reached. Concrete consolidation around the connectors must be conducted in accordance with the applicable code and HKC's published instructions. The top layer of concrete is then placed over the insulation board and concrete is consolidated around the connectors. Panels must be cured in accordance with the applicable code.

#### 4.5 Special Inspection:

Installations must be made under special inspection in accordance with Section 1705.1.1 of the IBC. The special inspector must be on the jobsite continuously during connector installation to verify connector type, connector dimensions, and cleanliness, embedment depth, concrete type, concrete compressive strength, edge distance(s), connector spacing(s), concrete thickness, concrete consolidation and concrete curing.

### 5.0 CONDITIONS OF USE:

The HK ST connectors described in this report comply with, or are suitable alternatives to what is specified in, those codes listed in Section 1.0 of this report, subject to the following conditions:

- 5.1 Connector sizes, dimensions, and installation must comply with the information in this report and HKC's published installation instructions. In case of a conflict, this report governs.
- 5.2 Allowable tension and shear loads must be used as noted in [Table 2](#).
- 5.3 Calculations and details demonstrating compliance with this report must be submitted to the code official for approval. The calculation and details must be prepared by a registered design professional where required by the statutes of the jurisdiction in which the project is to be constructed.
- 5.4 Design and installation of concrete wall panels, except as specifically noted in this report, is outside the scope of this report and must comply with the applicable code.
- 5.5 Connectors may be recognized for interior exposure, exterior exposure or damp environments.
- 5.6 Connectors must not be permitted in contact with preservative-treated and fire-retardant-treated wood.
- 5.7 Special inspection must be provided in accordance with Section 4.5 of this report.
- 5.8 Since ICC-ES acceptance criteria for evaluating data to determine the performance of connectors subjected to fatigue or shock loading is unavailable at this time, the use of these connectors under these conditions is beyond the scope of this statement.
- 5.9 Since ICC-ES acceptance criteria for evaluating data to determine the performance of thermoplastic connectors in cracked concrete is unavailable at this time, the use of these connectors must be limited to normal-weight uncracked concrete. Cracking occurs when  $f_t > f_{cr}$  due to service loads or deformations.
- 5.10 Connectors must not be permitted for use in conjunction with fire-resistant-rated construction, except when connectors resist wind loading only, or for other than wind loading, special consideration is given to fire exposure conditions.
- 5.11 Seismic or wind load under the IBC: Use of the connectors to resist seismic loads is beyond the present scope of compliance. When using the basic load combinations in accordance with IBC Section 1605.3.1.1, allowable loads are not permitted to be increased for wind loading. When using the alternate basic load combinations in IBC Section 1605.3.2 that include wind loads, the allowable shear and tension loads for connectors may be increased.
- 5.12 Connectors are manufactured by HK Composites, Incorporated, under a quality control program with inspections conducted by ICC-ES.

### 6.0 EVIDENCE SUBMITTED

Data in accordance with the [ICC-ES Acceptance Criteria for Fiber-reinforced Composite Connectors Anchored in Concrete \(AC320\)](#), dated October 2015 (Editorially revised May 2021), including seismic tests and creep tests.

### 7.0 IDENTIFICATION

- 7.1 The connectors must be identified in the field by dimensional characteristics and packaging. The packaging label indicates HK Composites Incorporated name and address, the type of connector, identification number and ICC-ES ESR report number (ESR-3381). The lot number is molded into each connector.

7.2 The report holder’s contact information is the following:

**HK COMPOSITES, INC.**  
**926 AUTO MALL DRIVE #4**  
**AMERICAN FORK, UTAH 84003**  
**(801) 763-0907**  
[www.hkcomposites.com](http://www.hkcomposites.com)  
[info@hkties.com](mailto:info@hkties.com)

**TABLE 1—PHYSICAL AND MECHANICAL PROPERTIES**

DESCRIPTION	ST50 CONNECTOR		ST75 & ST100 CONNECTORS	
	Customary Units	SI Units	Customary Units	SI Units
Cross-sectional area	0.196 in <sup>2</sup>	126.5 mm <sup>2</sup>	0.257 in <sup>2</sup>	165.80 mm <sup>2</sup>
Moment of inertia	0.0031 in <sup>4</sup>	1277 mm <sup>4</sup>	0.0053 in <sup>4</sup>	2187 mm <sup>4</sup>
Embedment depth (headed end)	1.50 inches	38 mm	1.50 inches	38 mm
Embedment depth (pointed end)	1.81 inches	46 mm	1.73 inches	44 mm
Bending elastic modulus (flexural modulus)	347,000 psi	2,379 MPa	347,000 psi	2,379 MPa

**TABLE 2—ALLOWABLE TENSION AND SHEAR VALUES IN NORMAL-WEIGHT CONCRETE<sup>1</sup> (in pounds)**

DESCRIPTION	ST50 CONNECTOR	ST75 CONNECTOR	ST100 CONNECTOR
	f <sub>c</sub> = 3,000 psi <sup>2</sup>	f <sub>c</sub> = 3,000 psi <sup>2</sup>	f <sub>c</sub> = 3,000 psi <sup>2</sup>
Static tension	315	414	414
Static shear	162	231	195

For SI: 1 psi = 6.9 kPa, 1 pound = 4.45 N

<sup>1</sup> Allowable loads have been determined by applying a factor of safety of 4 to the test results.

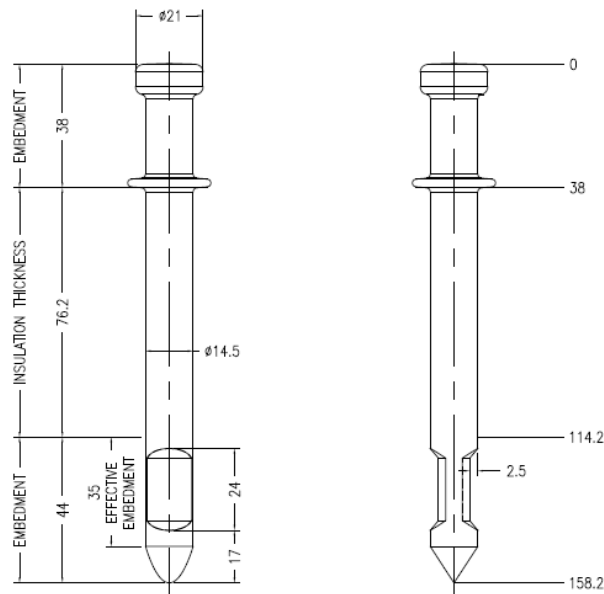
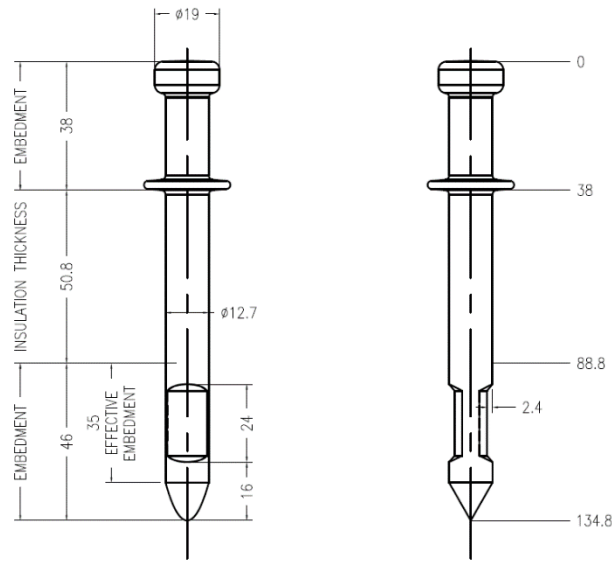
<sup>2</sup> Concrete must achieve this compressive strength before anchors are loaded.

**TABLE 3—INSTALLATION PARAMETERS**

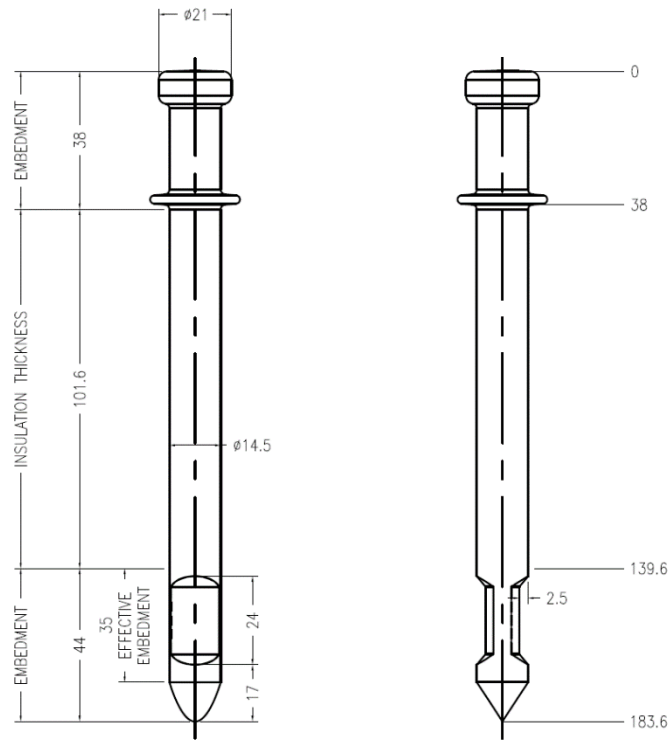
DESCRIPTION	STANDARD 2-in CONNECTOR (ST50) (inches)	STANDARD 3-in & 4-in CONNECTORS (ST75, ST100) (inches)
Embedment Headed End	1.50	1.50
Embedment Pointed End	1.81	1.73
Critical edge distance	5.25	5.25
Critical spacing	8	8

For SI: 1 inch = 25.4 mm.

**FIGURE 1—HK ST-50 CONNECTOR PROFILE**  
 (All dimensions are in mm; 1 mm = 0.0394 in.)



**FIGURE 2—HK ST-75 CONNECTOR PROFILE**  
 (All dimensions are in mm; 1 mm = 0.0394 in.)



**FIGURE 3—HK ST-100 CONNECTOR PROFILE**  
 (All dimensions are in mm; 1 mm = 0.0394 in.)